

VEHICLE IDENTIFICATION NUMBERING SYSTEM Up to 2000 Model Year

The Vehicle Identification Number comprises of a series of letters and numbers representing, in code such information as Marque, Model Range, Class, Engine type etc. The code for the Jaguar 3.2/ 4.0 litre is as follows.

Prefix 1 to 4

World Manufacturing Identifier

SAJJ = Jaguar

SAJD = Daimler

Prefix 5

Model Range Trim

F = XJ8

H = Sovereign

K = VDP

P = XJR, XJ Sport

Prefix 6

Class

A = Base Line

K = Japan A/B

N = Canada AB/2

S = Mexico AB/2

X = USA A/B2

Prefix 7

Body Type

L = 4 Door Saloon

M = 4 Door 5 Seat LWB

N = 4 Door 4 Seat LWB

Prefix 8

Engine Variant

D = 4.0 Litre

F = 4.0 Litre Supercharged

G = 3.2 Litre

Prefix 9

Transmission and Steering

3 = Auto RHS

4 = Auto LHS

7 = Manual RHS

8 = Manual LHS

Prefix 10

Model or Year Change

W = 1998 MY

X = 1999 MY

Y = 2000 MY

Prefix 11

Emission Control System

C = 4.0 litre Emission D

H = 3.2/4.0 litre Emission C

J = 4.0 Litre Emission C

L = 4.0 Litre Emission C

R = 3.2 Litre Emission C

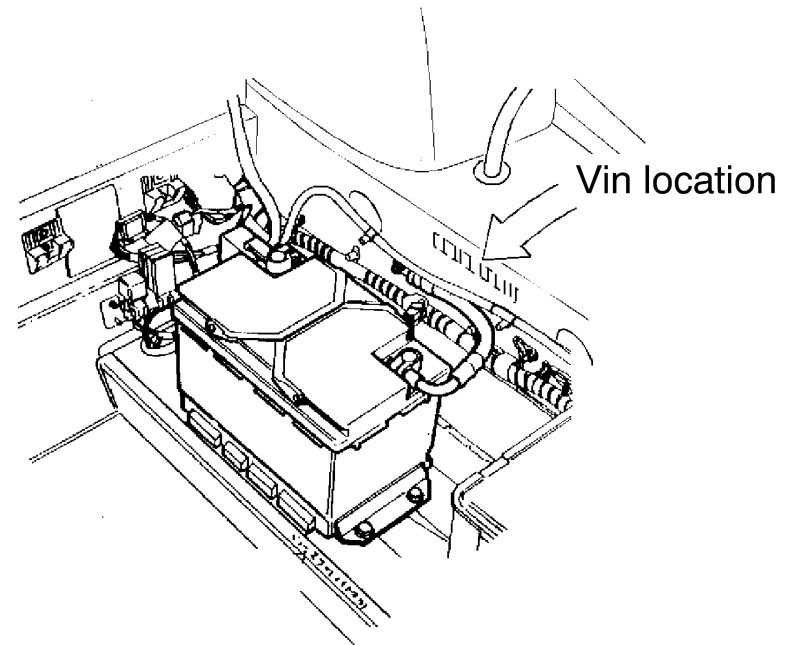
4.0 Litre Emission C and Supercharged

T = 4.0 Litre Emission C

X = 4.0 Litre Emission C

Prefix 12 to 17

Serial Number



VEHICLE IDENTIFICATION NUMBERING SYSTEM (GLOBAL) FROM 2000 Model Year

The Vehicle Identification Number comprises of a set of letters and numbers, representing such information as Marque, Range, Class, Engine type, etc. The code for the Jaguar 3.2/4.0 Litre is as follows:

PREFIX 1 to 3

World Manufacturing Identifier

SAJ = Jaguar

PREFIX 4

Market & Airbag Spec

A = Rest of World (1)

B = Canada (2)

D = USA (1)

F = Canada (1)

J = USA (2)

K = Japan (1)

P = Mexico (1)

R = Mexico (2)

PREFIX 5

Transmission & Steering

A = Automatic LHS

C = Automatic, RHS

PREFIX 6 & 7

Body Code

11 = 4dr Saloon, XJ8, SWB

12 = 4dr Saloon, XJ8, SWB, Sports

13 = 4dr Saloon, XJ8, SWB, Executive

14 = 4dr Saloon, XJ8, SWB, Sovereign

15 = 4dr Saloon, XJR, SWB

16 = 4dr Saloon, V8, SWB, Daimler

17 = 4dr Saloon, V8, SWB, Daimler Super

21 = 4dr Saloon, XJ8, LWB, 5 seat

22 = 4dr Saloon, XJ8, LWB, 5 seat, Executive

23 = 4dr Saloon, XJ8, LWB, 5 seat, Sovereign

24 = 4dr Saloon, V8, LWB, 5 seat, Daimler VDP

25 = 4dr Saloon, V8, LWB, 5 seat, Daimler Super

31 = 4dr Saloon, XJ8, LWB, 4 seat

32 = 4dr Saloon, XJ8, LWB, 4 seat, Sovereign

33 = 4dr Saloon, V8, LWB, 4 seat, Daimler

34 = 4dr Saloon, V8, LWB, 4 seat, Daimler Super

PREFIX 8

Emissions

A = emission D

B = emission A S/C (USA/Canada)

C = emission L (USA/Canada)

D = emission C

E = emission C

F = emission C

G = emission C

H = emission C

J = emission A S/C

K = emission A

L = emission C

M = emission A

N = emission ?

P = emission ?

R = emission C

S = emission A

T = emission C

V = emission C

X = emission C

PREFIX 9

Check Digit ?

PREFIX 10

Model or Year Change

Y = 2000 Model Year

1 = 2001 Model Year

2 = 2002 Model Year

3 = 2003 Model Year

PREFIX 11

Assembly Plant

A = Browns Lane, 3.2 AJ26

B = Browns Lane, 4.0 AJ26

D = Browns Lane, 4.0 s/c AJ26

K = Browns Lane, 3.2 AJ27

PREFIX 11

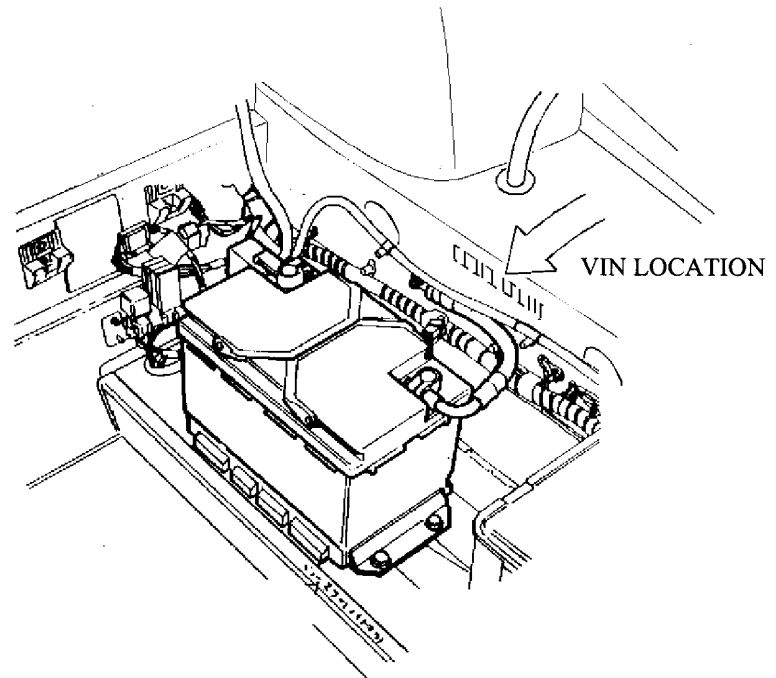
Assembly Plant cont'd

L = Browns Lane, 4.0 AJ27

M = Browns Lane, 4.0 s/c AJ27

PREFIX 12 to 17

Production Serial Number

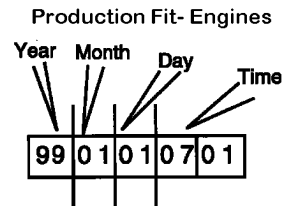
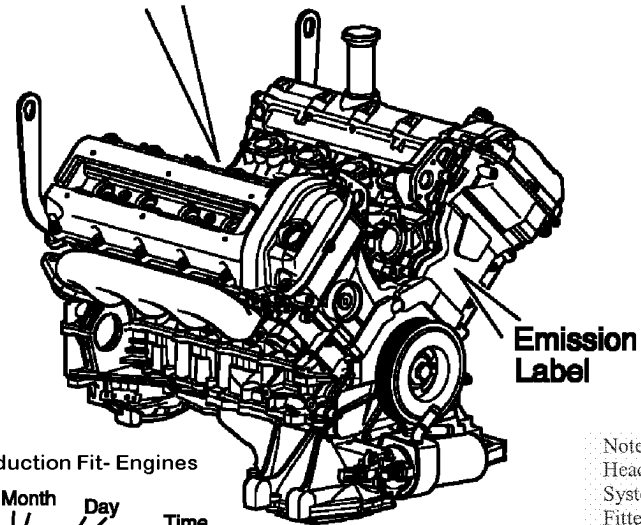


(1) Markets have twin depowered airbags & side airbags as standard

(2) Markets have twin depowered airbags & no side airbags

IP1578

Engine Serial Number
 (The V8 Engine Serial Number is 10 digits long.)

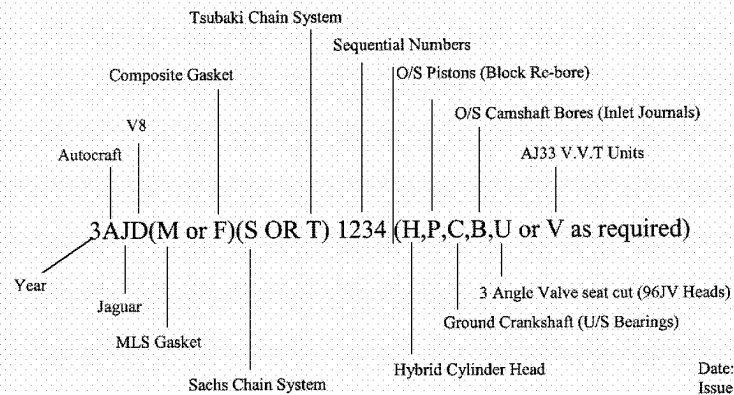


V8

Note:
 Head Gaskets & Chain Systems are continually Fitted, so the I.D. letters will Always be part of the stamping. Care must be taken with the H, P, C, B, U & V options, as These may not always be used. In some cases, none of these letters will be required

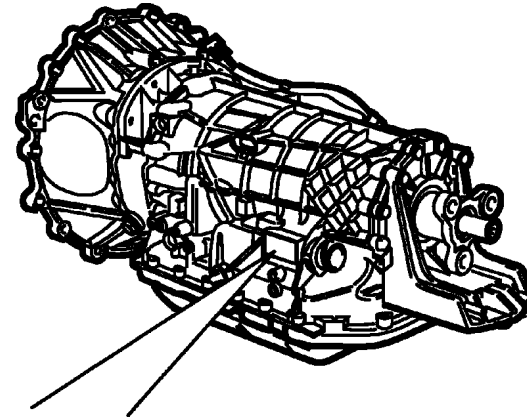
Engine Serial Number Typical Example

Remanufactured Engines

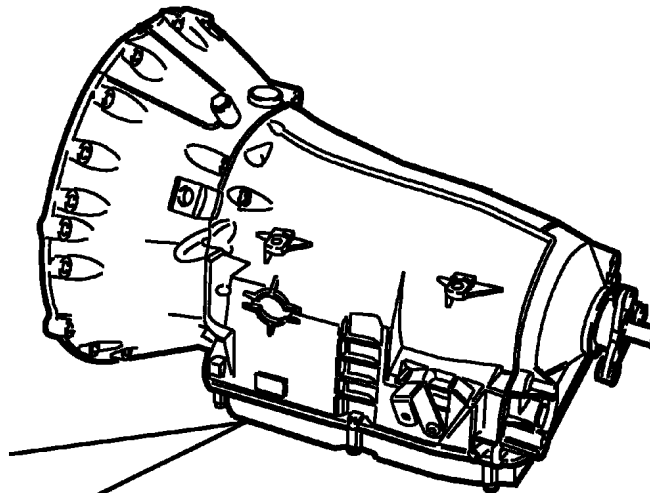


Date: 29.07.03
 Issue No. 02
 Issued by A. Slater

GEARBOX SERIAL NUMBER V8

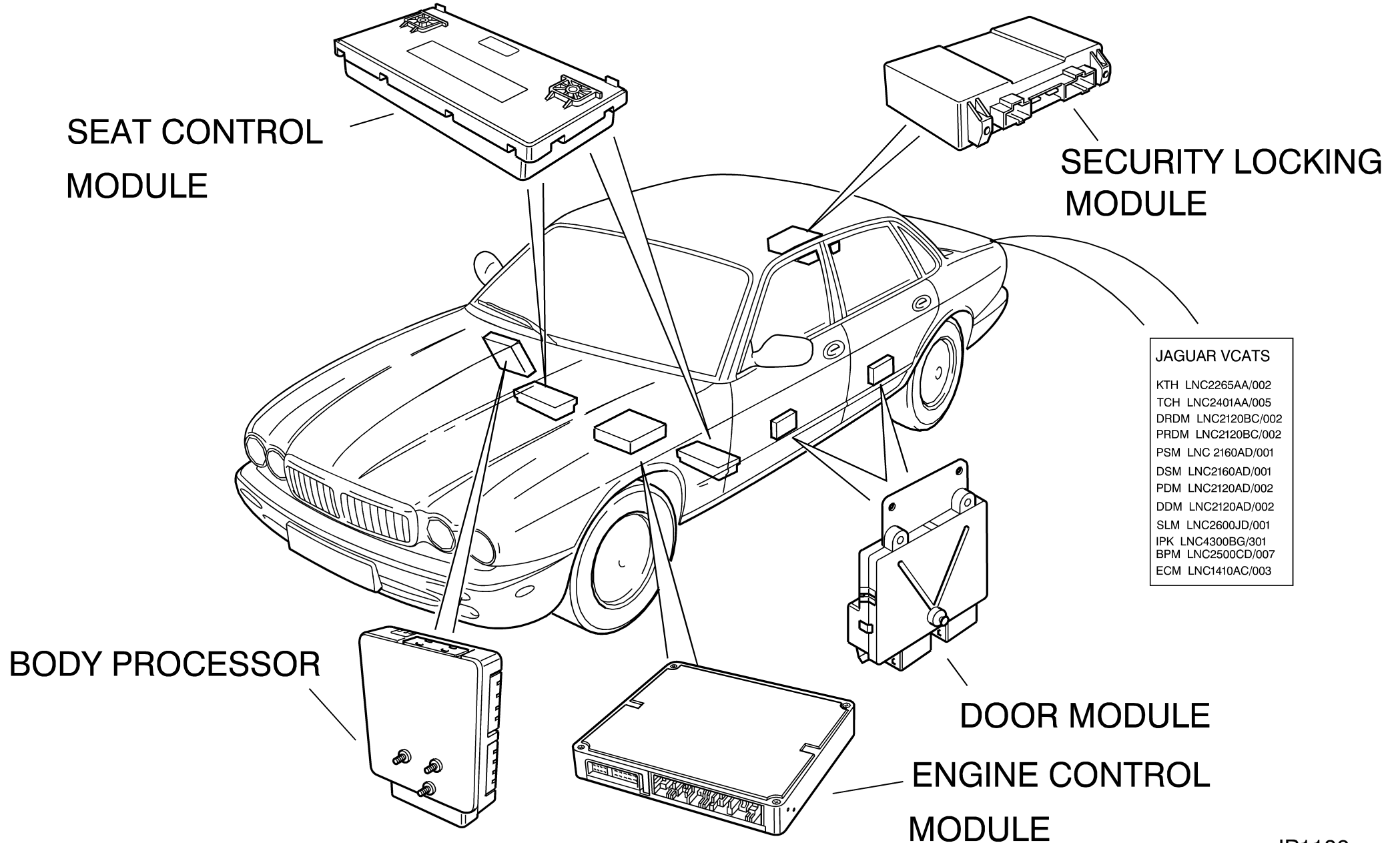


**Serial No Plate
(Normally Aspirated)**



**Serial Number
(Supercharged)**

CONTROL MODULE LOCATIONS



BODY COLOUR CODES

BODY COLOUR NAME	JBC NUMBER	SALES CODE
ANTHRACITE	1859	PED
ASPEN GREEN	1945	HGP
BRITISH RACING GREEN	1753	HGD
CARNIVAL	1811	CGG
EMERALD	1895	HGG
MISTRAL	1861	JHJ
PACIFIC	1905	JHM
PLATINUM	1916	MDZ
QUARTZ	1926	LHK
ROMAN BRONZE		BDE
SAPPHIRE	1806	JHE
SEAFROST	1860	MDV
SLATE	1943	LHL
TITANIUM	1810	LGL
TOPAZ	1820	SEC
WESTMINSTER BLUE	1712	JHG
WHITE ONYX	1942	NEG
ZIRCON	1927	JHV